



Hangcha Europe GmbH

Mariechen-Graulich-Straße 12a,
65439 Flörsheim am Main,
Germany

Administration
Tel: 0049-61453769188
E-mail: admin@hangchaeurope.com

Sales Management
Thomas Dittrich
Mob: 0049-16096548808
E-mail: thomas.dittrich@hangchaeurope.com

Technical Support
Thomas Pannke
Mob: 0049-01759284213
E-mail: thomas.pannke@hangchaeurope.com

www.hangchaeurope.com



Folgen Sie uns auf
Instagram



Folgen Sie uns auf
Facebook



Folgen Sie uns auf
YouTube



"Hangcha Forklift"
App herunterladen



ISO14001
ISO14001:2015



ISO9001
ISO9001:2015



HANGCHA trucks conform
to the European Safety
Requirements.

2023 VERSION 1/COPYRIGHT 2023/06

HANGCHA Group Co., LTD behält sich das Recht vor, Änderungen bezgl. Farbe, Spezifikationen, Ausstattung und sonstige Details, dierer Broschüre ohne Vorankündigung vorzunehmen. Fahrzeugfarben können von den Farben in dieser Brochure abweichen.



XH SERIES HIGH-VOLTAGE LITHIUM BATTERY FORKLIFT

with capacity of 6,000 to 10,000kg



The World of Hangcha



XH SERIES HIGH-VOLTAGE LITHIUM BATTERY FORKLIFT

Independently developed by Hangcha on the basis of decades of deep understanding of electric forklifts and internal combustion forklifts, the dedicated XH series heavy-duty high-voltage lithium battery forklifts are a new series of products with a new energy vehicle voltage platform and a pioneered special structure that represents a breakthrough over the traditional design concept. Breaking through the perception of drive electric forklift, the series of products supersede the internal combustion forklifts and redefine the new generation of electric forklifts in terms of efficiency, power, reliability, etc..

THE *Plus*
FOR YOUR
BUSINESS

VOLTAGE

309 V

SPEED MODELS

3

MAX. GRADEABILITY

30%

TRAVEL SPEED

32km/h

WATER RESISTANCE

IPX4

PROTECTION RATE

IP67

Stylish exterior

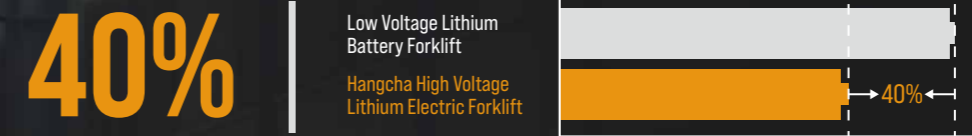
/ With the inherited classic exterior design of the dedicated XC lithium battery forklift and a smooth and sturdy profile, the whole vehicle is impact, elegant, stylish and sturdy.



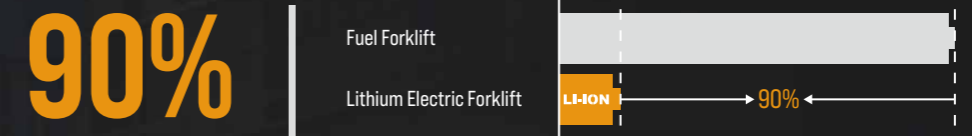
COMMITTED TO IMPROVING

FASTER & MORE EFFICIENCY.

Compared with low-voltage lithium battery forklifts, high-voltage lithium battery technology can save about 40% of the overall cost during the service cycle.



Compared with fuel forklifts, high-voltage lithium battery technology can save about 90% of the overall cost during the service cycle.

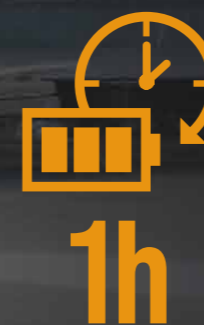


4000 CYCLES OF CHARGING **75% LI-ION**

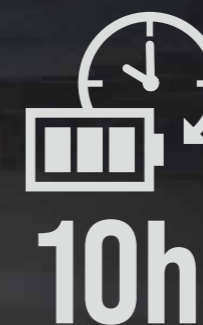
Under normal charging and discharging conditions, the lithium battery of Hangcha products has a capacity retention rate of more than 75% and a life span of up to 10 years after 4000 cycles of charging and discharging.

Through disruptive battery and fast charging technology, the charging time is greatly shortened.

Get the battery fully charge:



Hangcha High Voltage Electric Forklift
* 6.0-7.0t: 1h
* 8.0-10t: 1.5h



Electric Forklift

POWER PERFORMANCE COMPARISON

| | High Voltage Lithium Electric Forklift | Fuel Forklift |
|---|--|---------------|
| Travel speed, laden/unladen | 29/32km/h | 15-20km/h |
| Lift speed, laden/unladen | 400/470mm/s | 430/470mm/s |
| Max. gradeability, S2-5min, laden/unladen | 24/30% | 15%-20% |

Fast charging makes it possible for the whole vehicle to work continuously, shortening the waiting time and greatly improving efficiency.

HIGH-VOLTAGE

93.3Kwh

Battery capacity

EFFICIENT AND DURABLE



Standard large-capacity lithium battery



Charging port

Ultra-long battery life

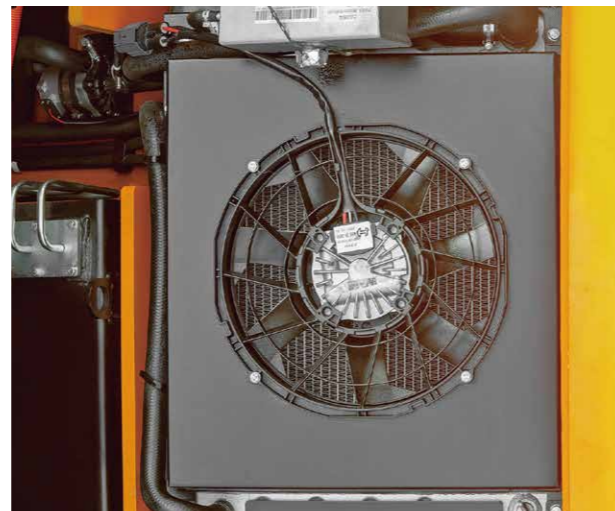
- / Standard large-capacity lithium battery meets long battery life requirements.
- / Both the drive and operating systems are vehicle-grade permanent magnet synchronization systems, being energy-saving and efficient;
- / With 309V high-voltage platform, the vehicle boasts of a smaller current and very low heat loss;
- / The vehicle uses an overall controller to control the traction motor controller assembly and the driving motor controller assembly to form a highly independent, light-weighted, efficient and intelligent drive system.

Quick charge

- / The standard battery with superfast charging technology needs only 1.0h(6.0-7.0t)/1.5h(8.0-10t) to charge fully;
- / Optional slow-charge charger (2h(6.0-7.0t)/3h(8.0-10t) to charge fully), cost-effective and economical.

Internal combustion condition

- / Both the drive and operating systems are vehicle-grade permanent magnet synchronization systems. Equipped with a high speed ratio gearbox, the driving speed, upslope degree and acceleration performance surpass that of internal combustion vehicles.
- / It adopts the same structural design of drive axle, steering axle and tires as internal combustion forklifts, which can meet the demand of high-intensity operating conditions.
- / With regard to the series of products, a water cooling system with a good heat dissipation effect is used on a new energy forklift for the first time, so that the forklift can carry out long-time and high-intensity operations as internal combustion forklifts.
- / It meets all-weather operating conditions and is usable under severe operating conditions such as cold storage, heavy rain and waterlogged roads.



Cooling system

SAFE AND RELIABLE

The cover of the vehicle is designed to be sealed to the water resistance level of IPX4 for the body. All the motor, electronic controls and high-voltage components reach the dust and water resistance level of IP67, a high protection level adequate to withstand harsh operating environments and ensure safety and reliability.



The electrical system is equipped with high-voltage interlocks, insulation detection and vehicle-grade safety means. The MSD maintenance switch enables one-click power-down and safer maintenance.



The standard configuration provides a fork descending buffering function. In addition, an optional electronic control function for buffering the fork's ascending is provided to protect the goods from falling and damaging the ground.



An optional OPS seat sensing feature is provided to enable high safety by disabling the descending, lifting and driving when the driver leaves the seat and giving out an alarm when the driver leaves the seat without activating the hand brake.

Easily maintainable

- / Equipped with a lock, charging, liquid replenishment and maintenance become convenient.
- / The water tank lid can be removed quickly and easily without a tool to enable a large operating area for cleaning and maintenance.

Standard Specification

- / Multi-function color-screen combination instrument
- / Large integral rubber pedal pads
- / LED combination headlights, LED rear combination three-color taillights
- / Duplex wide-view mast
- / Stamped iron hood, stamped iron side plates
- / Stamped stainless steel boarding step
- / The gas spring of the hood with a touch-proof mechanism
- / Handbrake with a touch-proof mechanism
- / Integrated fuse box
- / Charging muzzle meeting national standards
- / Reverse buzzer
- / Lithium battery pack
- / Lithium battery pack with low temperature electric heating systems
- / Maintenance-free 12V lead-acid battery
- / Two-in-one permanent magnet AC traction motor controller
- / Two-in-one permanent magnet AC oil pump motor controller
- / Two-in-one DC-DC power supply
- / VCU controller
- / MSD maintenance switch
- / Emergency power off switch
- / Mileage display, operating time display
- / Load sensing steering system
- / Turning deceleration function
- / Fork descending buffering
- / SPE power selection
- / Electronic water pump
- / Electronic fan
- / Heat dissipater
- / Expansion tank
- / 2nd valve (6.0-7.0t)
- / 4th valve (8.0-10t)
- / Quadruple multi-way valve
- / Silent gear pump
- / Traction pin
- / Left and right rear view mirrors
- / Hangcha cloud intelligent management system



Options

- / Solid tire
- / Reversing video
- / Front/rear blue lights
- / Rear operation lights
- / Dedicated lithium battery charger
- / Reverse armrest (with a horn button)
- / OPS seat sensing function
- / 3th/4th valve (6.0-7.0t)
- / 5th valve
- / Quintuple multi-way valve
- / Widened fork carriage
- / Forks of other lengths
- / Free duplex mast
- / Free triplex mast
- / Accessories for other specifications
- / Start with a PIN code or by swiping a card
- / Coloring solid environmentally friendly seamless tire
- / Toolbox, folder
- / Integrated fingertip control system including ergonomic armrests

Optional battery list

| Voltage/capacity | 309V/228Ah | 309V/302Ah | 348V/302Ah |
|------------------|------------|------------|------------|
| 6.0-7.0t | ● | ○ | — |
| 8.0-10t | — | ● | ○ |

Note: ● Standard battery capacity; ○ Optional battery capacity; — Null.

6.0-7.0t Mast Specification

| Type | Model | Lifting height mm | Overall height | | | Free lift | | Front Overhang mm | Tilt range | | Capacity | |
|---------------------------------|--------------|----------------------|----------------|---------------------|------------------------|------------------------|---------------------------|-------------------------|------------|------------|-------------------|----------|
| | | | Lowered mm | Extended | | With backrest mm | Without backrest mm | | FWD (°) | BWD (°) | Load center@600mm | |
| | | | | With backrest mm | Without backrest mm | | | | | | 6t kg | 7t kg |
| Wide view mast | XHP60/70M250 | 2500 | 2250 | 3495/3667 | 3907 | 160 | 160 | 603.5/608.5 | 6 | 12 | 6000 | 7000 |
| | XHP60/70M270 | 2700 | 2350 | 3695/3867 | 4107 | 160 | 160 | 603.5/608.5 | 6 | 12 | 6000 | 7000 |
| | XHP60/70M300 | 3000 | 2500 | 3995/4167 | 4407 | 160 | 160 | 603.5/608.5 | 6 | 12 | 6000 | 7000 |
| | XHP60/70M330 | 3300 | 2650 | 4295/4467 | 4707 | 160 | 160 | 603.5/608.5 | 6 | 12 | 6000 | 7000 |
| | XHP60/70M360 | 3600 | 2800 | 4595/4767 | 5007 | 160 | 160 | 603.5/608.5 | 6 | 12 | 6000 | 7000 |
| | XHP60/70M400 | 4000 | 3000 | 4995/5167 | 5407 | 160 | 160 | 603.5/608.5 | 6 | 12 | 6000 | 7000 |
| | XHP60/70M430 | 4300 | 3200 | 5300/5467 | 5707 | 160 | 160 | 603.5/608.5 | 6 | 6 | 6000 | 7000 |
| | XHP60/70M450 | 4500 | 3300 | 5500/5667 | 5907 | 160 | 160 | 603.5/608.5 | 6 | 6 | 6000 | 7000 |
| | XHP60/70M480 | 4800 | 3450 | 5800/5967 | 6207 | 160 | 160 | 603.5/608.5 | 6 | 6 | 6000 | 7000 |
| | XHP60/70M500 | 5000 | 3550 | 6000/6167 | 6407 | 160 | 160 | 603.5/608.5 | 6 | 6 | 6000 | 7000 |
| XHP60/70M550 | 5500 | 3850 | 6550/6667 | 6907 | 160 | 160 | 603.5/608.5 | 3 | 6 | 5500 | 6400 | |
| XHP60/70M600 | 6000 | 4100 | 7050/7167 | 7407 | 160 | 160 | 603.5/608.5 | 3 | 6 | 5200 | 6200 | |
| Wide view full free duplex mast | XHP60/70L250 | 2500 | 2185 | 3455/3615 | 3637 | 1230/1070 | 1048 | 631.5/636.5 | 6 | 12 | 6000 | 7000 |
| | XHP60/70L270 | 2700 | 2300 | 3655/3815 | 3837 | 1345/1185 | 1163 | 631.5/636.5 | 6 | 12 | 6000 | 7000 |
| | XHP60/70L300 | 3000 | 2450 | 3955/4115 | 4137 | 1495/1335 | 1313 | 631.5/636.5 | 6 | 12 | 6000 | 7000 |
| | XHP60/70L330 | 3300 | 2600 | 4255/4415 | 4437 | 1645/1485 | 1463 | 631.5/636.5 | 6 | 12 | 6000 | 7000 |
| | XHP60/70L360 | 3600 | 2750 | 4555/4715 | 4737 | 1795/1635 | 1613 | 631.5/636.5 | 6 | 12 | 6000 | 7000 |
| | XHP60/70L400 | 4000 | 2950 | 4955/5115 | 5137 | 1995/1835 | 1813 | 631.5/636.5 | 6 | 12 | 6000 | 7000 |
| | XHP60/70L450 | 4500 | 2725 | 5735 | 5907 | 1500 | 1328 | 672/667 | 6 | 6 | 5300 | 6200 |
| | XHP60/70L480 | 4800 | 2825 | 6035 | 6207 | 1600 | 1428 | 672/667 | 6 | 6 | 5300 | 6100 |
| | XHP60/70N500 | 5000 | 2875 | 6213 | 6407 | 1672 | 1478 | 672/667 | 6 | 6 | 5300 | 6100 |
| | XHP60/70N550 | 5500 | 3075 | 6785 | 6907 | 1800 | 1678 | 672/667 | 3 | 6 | 5000 | 5900 |
| XHP60/70N600 | 6000 | 3225 | 7235 | 7407 | 2000 | 1828 | 672/667 | 3 | 6 | 4800 | 5300 | |
| XHP60/70N650 | 6500 | 3375 | 7713 | 7907 | 2172 | 1978 | 672/667 | 3 | 6 | 3800 | 4300 | |
| XHP60/70N700 | 7000 | 3675 | 8385 | 8407 | 2300 | 2278 | 672/667 | 3 | 6 | 3100 | 3600 | |

8.0t Mast Specification

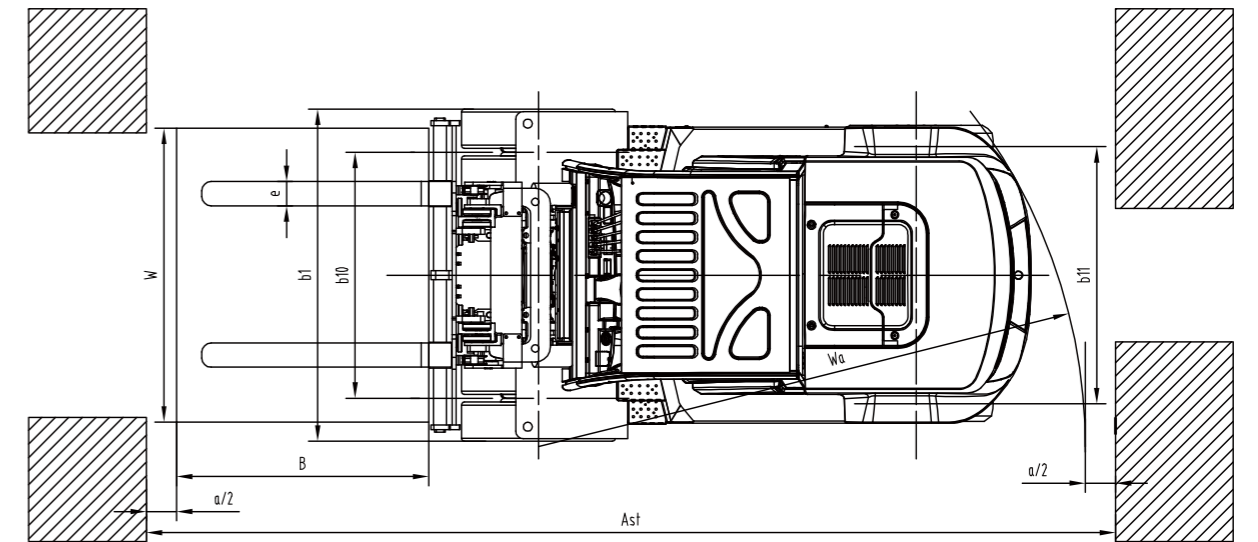
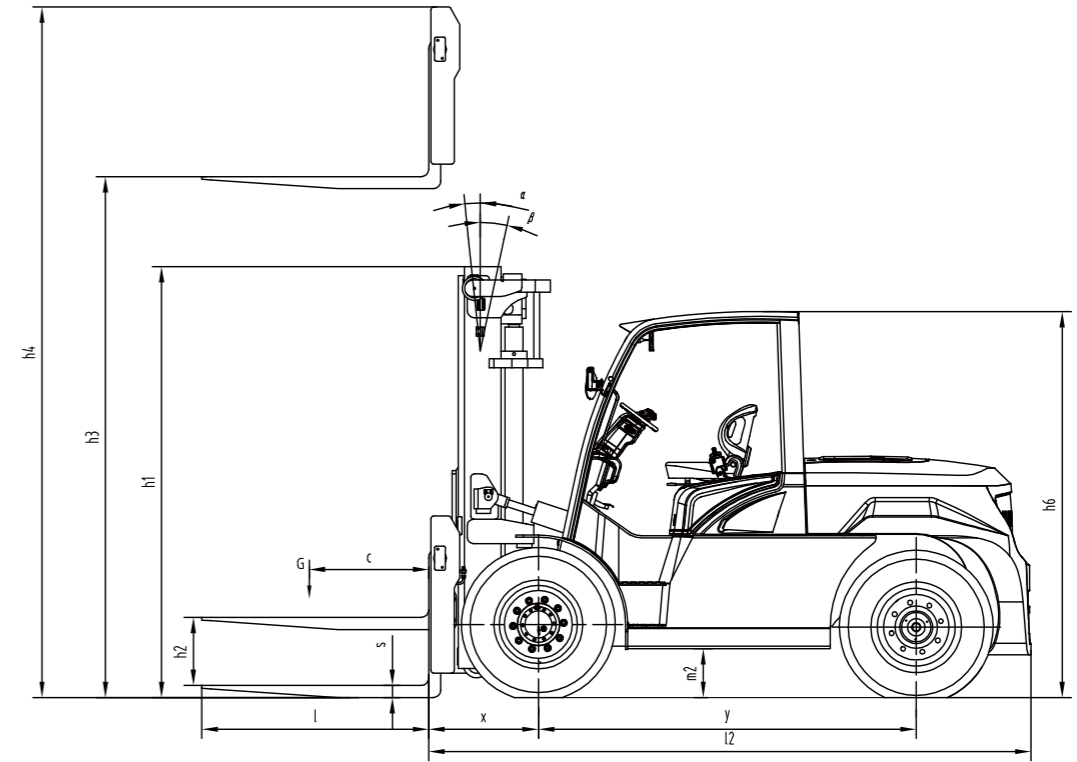
| Type | Model | Lifting height mm | Overall height | | | Free lift mm | Front Overhang mm | Tilt range | | Capacity | |
|----------------------------------|---------|----------------------|----------------|------------------------|---------------------|-----------------|-------------------------|------------|------------|-------------------|-----------|
| | | | Lowered mm | Extended | | | | FWD (°) | BWD (°) | Load center@600mm | |
| | | | | Without backrest mm | With backrest mm | | | | | 8t kg | 10t kg |
| Wide view mast | X80M250 | 2500 | 2450 | 3710 | 200 | 714 | 6 | 12 | 8000 | | |
| | X80M270 | 2700 | 2550 | 3910 | 200 | 714 | 6 | 12 | 8000 | | |
| | X80M300 | 3000 | 2700 | 4210 | 200 | 714 | 6 | 12 | 8000 | | |
| | X80M330 | 3300 | 2850 | 4510 | 200 | 714 | 6 | 12 | 8000 | | |
| | X80M350 | 3500 | 2950 | 4710 | 200 | 714 | 6 | 12 | 8000 | | |
| | X80M360 | 3600 | 3000 | 4810 | 200 | 714 | 6 | 12 | 8000 | | |
| | X80M400 | 4000 | 3200 | 5210 | 200 | 714 | 6 | 12 | 8000 | | |
| | X80M430 | 4300 | 3400 | 5510 | 200 | 714 | 6 | 6 | 8000 | | |
| | X80M450 | 4500 | 3500 | 5710 | 200 | 714 | 6 | 6 | 8000 | | |
| | X80M480 | 4800 | 3650 | 6010 | 200 | 714 | 6 | 6 | 8000 | | |
| | X80M500 | 5000 | 3750 | 6210 | 200 | 714 | 6 | 6 | 8000 | | |
| | X80M550 | 5500 | 4050 | 6740 | 200 | 714 | 3 | 6 | 7200 | | |
| | X80M600 | 6000 | 4300 | 7240 | 200 | 714 | 3 | 6 | 6800 | | |
| | X80M650 | 6500 | 4600 | 7790 | 200 | 714 | 3 | 6 | 5600 | | |
| | X80L230 | 2300 | 2350 | 3505 | 1145 | 719 | 6 | 12 | 8000 | | |
| | X80L250 | 2500 | 2450 | 3705 | 1245 | 719 | 6 | 12 | 8000 | | |
| Wide view full free duplex mast | X80L270 | 2700 | 2550 | 3905 | 1345 | 719 | 6 | 12 | 8000 | | |
| | X80L300 | 3000 | 2700 | 4205 | 1495 | 719 | 6 | 12 | 8000 | | |
| | X80L330 | 3300 | 2850 | 4505 | 1645 | 719 | 6 | 12 | 8000 | | |
| | X80L360 | 3600 | 3000 | 4805 | 1795 | 719 | 6 | 12 | 8000 | | |
| | X80L400 | 4000 | 3200 | 5205 | 1995 | 719 | 6 | 12 | 8000 | | |
| | X80N450 | 4500 | 2750 | 5775 | 1485 | 759 | 6 | 6 | 6800 | | |
| | X80N480 | 4800 | 2850 | 6075 | 1585 | 759 | 6 | 6 | 6800 | | |
| | X80N500 | 5000 | 2950 | 6360 | 1600 | 759 | 6 | 6 | 6300 | | |
| Wide view full free triplex mast | X80N550 | 5500 | 3100 | 6810 | 1800 | 759 | 3 | 6 | 5900 | | |
| | X80N600 | 6000 | 3250 | 7275 | 1985 | 759 | 3 | 6 | 5400 | | |
| | X80N650 | 6500 | 3530 | 7840 | 2200 | 759 | 3 | 6 | 4800 | | |
| | X80N700 | 7000 | 3700 | 8310 | 2400 | 759 | 3 | 6 | 4000 | | |

9.0-10t Mast Specification

| Type | Model | Lifting height mm | Overall height | | | Free lift mm | Front Overhang mm | Tilt range | | Capacity | |
|----------------------------------|----------|----------------------|----------------|------------------------|---------------------|-----------------|-------------------------|------------|------------|-------------------|-----------|
| | | | Lowered mm | Extended | | | | FWD (°) | BWD (°) | Load center@600mm | |
| | | | | Without backrest mm | With backrest mm | | | | | 9t kg | 10t kg |
| Wide view mast | X100M250 | 2500 | 2600 | 4055 | 200 | 726 | 6 | 12 | 9000 | 10000 | |
| | X100M270 | 2700 | 2700 | 4255 | 200 | 726 | 6 | 12 | 9000 | 10000 | |
| | X100M300 | 3000 | 2850 | 4555 | 200 | 726 | 6 | 12 | 9000 | 10000 | |
| | X100M330 | 3300 | 3000 | 4855 | 200 | 726 | 6 | 12 | 9000 | 10000 | |
| | X100M360 | 3500 | 3100 | 5055 | 200 | 726 | 6 | 12 | 9000 | 10000 | |
| | X100M360 | 3600 | 3150 | 5155 | 200 | 726 | 6 | 12 | 9000 | 10000 | |
| | X100M400 | 4000 | 3350 | 5555 | 200 | 726 | 6 | 12 | 9000 | 10000 | |
| | X100M430 | 4300 | 3550 | 5855 | 200 | 726 | 6 | 6 | 9000 | 10000 | |
| | X100M450 | 4500 | 3650 | 6055 | 200 | 726 | 6 | 6 | 9000 | 10000 | |
| | X100M480 | 4800 | 3800 | 6355 | 200 | 726 | 6 | 6 | 9000 | 10000 | |
| | X100M500 | 5000 | 3900 | 6555 | 200 | 726 | 6 | 6 | 9000 | 10000 | |
| | X100M550 | 5500 | 4200 | 7055 | 200 | 726 | 3 | 6 | 8500 | 9000 | |
| | X100M600 | 6000 | 4450 | 7555 | 200 | 726 | 3 | 6 | 7500 | 8000 | |
| | X100M650 | 6500 | 4750 | 8055 | 200 | 726 | 3 | 6 | 6000 | 6700 | |
| | X100L230 | 2300 | 2500 | 3845 | 955 | 744 | 6 | 12 | 9000 | 10000 | |
| | X100L250 | 2500 | 2600 | 4045 | 1055 | 744 | 6 | 12 | 9000 | 10000 | |
| Wide view full free duplex mast | X100L270 | 2700 | 2700 | 4245 | 1155 | 744 | 6 | 12 | 9000 | 10000 | |
| | X100L300 | 3000 | 2850 | 4545 | 1305 | 744 | 6 | 12 | 9000 | 10000 | |
| | X100L330 | 3300 | 3000 | 4845 | 1455 | 744 | 6 | 12 | 9000 | 10000 | |
| | X100L360 | 3600 | 3150 | 5145 | 1605 | 744 | 6 | 12 | 9000 | 10000 | |
| | X100L400 | 4000 | 3350 | 5545 | 1805 | 744 | 6 | 12 | 9000 | 10000 | |
| | X100N450 | 4500 | 2850 | 6055 | 1305 | 794 | 6 | 6 | 8000 | 8500 | |
| | X100N480 | 4800 | 2950 | 6355 | 1405 | 794 | 6 | 6 | 8000 | 8500 | |
| | X100N500 | 5000 | 3050 | 6555 | 1505 | 794 | 6 | 6 | 8000 | 8200 | |
| Wide view full free triplex mast | X100N550 | 5500 | 3200 | 7055 | 1655 | 794 | 3 | 6 | 7500 | 7700 | |
| | X100N600 | 6000 | 3350 | 7555 | 1805 | 794 | 3 | 6 | 6700 | 7000 | |
| | X100N650 | 6500 | 3630 | 8055 | 2085 | 794 | 3 | 6 | 5800 | 6200 | |
| | X100N700 | 7000 | 3800 | 8555 | 2255 | 794 | 3 | 6 | 4800 | 5200 | |

XH Series 6.0-10t High-voltage Lithium Battery Forklift Specification

| Distinguishing mark | HANGCHA GROUP CO.,LTD. | | | | | | | | |
|---------------------|---|--|--------------------------|--------------|--------------|--------------|--------------|--------------|--------------|
| | 1.1 | Manufacturer | | CPD60-XHY2G | CPD70-XHY2G | CPD80-XHY2G | CPD80-XHLY2G | CPD90-XHY2G | CPD100-XHY2G |
| 1.2 | Manufacturer's type designation | | CPD60-XHY2G | CPD70-XHY2G | CPD80-XHY2G | CPD80-XHLY2G | CPD90-XHY2G | CPD100-XHY2G | |
| 1.3 | Drive: electric (battery or mains), diesel, petrol, fuel gas | | Electric | Electric | Electric | Electric | Electric | Electric | |
| 1.4 | Operator type: hand, pedestrian, standing, seated, order-picker | | Seated | Seated | Seated | Seated | Seated | Seated | |
| 1.5 | Rated capacity/rated load | Q (kg) | 6000 | 7000 | 8000 | 8000 | 9000 | 10000 | |
| 1.6 | Load centre distance | c (mm) | 600 | 600 | 600 | 900 | 600 | 600 | |
| 1.7 | Load distance, centre of drive axle to fork | x (mm) | 603.5 | 608.5 | 714 | 726 | 726 | 726 | |
| 1.8 | Wheelbase | y (mm) | 2300 | 2300 | 2500 | 2500 | 2500 | 2500 | |
| Weight | 2.1 | Service Weight | kg | 9200 | 9700 | 11800 | 14200 | 13400 | 14200 |
| | 2.2 | Axle loading, laden front/rear | kg | 13400/1800 | 14970/1730 | 17700/2100 | 19560/2640 | 20080/2320 | 21640/2560 |
| | 2.3 | Axle loading, unladen front/rear | kg | 4250/4950 | 4310/5390 | 5500/6300 | 6370/7830 | 6250/7150 | 6350/7850 |
| Tyres, chassis | 3.1 | Tyres: solid rubber, superelastic, pneumatic, polyurethane | | Pneumatic | Pneumatic | Pneumatic | Pneumatic | Pneumatic | Pneumatic |
| | 3.2 | Tyre size, front | | 8.25-15-14PR | 8.25-15-14PR | 9.00-20-14PR | 9.00-20-14PR | 9.00-20-14PR | 9.00-20-14PR |
| | 3.3 | Tyre size, rear | | 8.25-15-14PR | 8.25-15-14PR | 9.00-20-14PR | 9.00-20-14PR | 9.00-20-14PR | 9.00-20-14PR |
| | 3.4 | Wheels, number front / rear (x = driven wheels) | | 4x/2 | 4x/2 | 4x/2 | 4x/2 | 4x/2 | 4x/2 |
| | 3.5 | Tread, front | b10 (mm) | 1489 | 1489 | 1628 | 1628 | 1628 | 1628 |
| | 3.6 | Tread, rear | b11 (mm) | 1700 | 1700 | 1700 | 1700 | 1700 | 1700 |
| Dimensions | 4.1 | Tilt of mast/fork carriage forward/backward | $\alpha/\beta(^{\circ})$ | 6/12 | 6/12 | 6/12 | 6/12 | 6/12 | 6/12 |
| | 4.2 | Height, mast lowered | h1 (mm) | 2500 | 2500 | 2700 | 2850 | 2850 | 2850 |
| | 4.3 | Free lift | h2 (mm) | 160 | 160 | 200 | 200 | 200 | 200 |
| | 4.4 | Lift | h3 (mm) | 3000 | 3000 | 3000 | 3000 | 3000 | 3000 |
| | 4.5 | Height, mast extended | h4 (mm) | 4407 | 4407 | 4210 | 4555 | 4555 | 4555 |
| | 4.6 | Height of overhead guard (cabin) | h6 (mm) | 2440 | 2440 | 2560 | 2560 | 2560 | 2560 |
| | 4.7 | Seat height/stand height | h7 (mm) | 1276 | 1276 | 1387 | 1387 | 1387 | 1387 |
| | 4.8 | Overall length | l1 (mm) | 4753.5 | 4758.5 | 5474 | 5806 | 5486 | 5486 |
| | 4.9 | Length to face of forks | l2 (mm) | 3553.5 | 3558.5 | 3974 | 3986 | 3986 | 3986 |
| | 4.10 | Overall width | b1 (mm) | 1990 | 1990 | 2197 | 2197 | 2197 | 2197 |
| | 4.11 | Fork dimensions | s/e/l (mm) | 60×150×1200 | 65×150×1200 | 75×160×1500 | 85×160×1820 | 80×160×1500 | 80×160×1500 |
| | 4.12 | Distance between fork-arms | bs (mm) | 300/1850 | 300/1850 | 440/2000 | 440/2000 | 440/2000 | 440/2000 |
| | 4.13 | Ground clearance, laden, below mast | m1 (mm) | 200 | 200 | 250 | 250 | 250 | 250 |
| | 4.14 | Ground clearance, centre of wheelbase | m2 (mm) | 238 | 238 | 320 | 320 | 320 | 320 |
| | 4.15 | Aisle width for pallets 1000 x 1200 crossways | Ast (mm) | 5133.5 | 5138.5 | 5534 | 5546 | 5546 | 5546 |
| | 4.16 | Aisle width for pallets 800 x 1200 lengthways | Ast (mm) | 5333.5 | 5338.5 | 5734 | 5746 | 5746 | 5746 |
| | 4.17 | Turning radius | Ws (mm) | 3330 | 3330 | 3620 | 3620 | 3620 | 3620 |
| Performance data | 5.1 | Travel speed, laden/unladen | km/h | 28/31 | 28/31 | 29/32 | 29/32 | 29/32 | 29/32 |
| | 5.2 | Lift speed, laden/unladen | mm/s | 550/590 | 510/540 | 460/500 | 420/470 | 400/470 | 380/470 |
| | 5.3 | Lowering speed, laden | mm/s | 480/420 | 480/420 | 455 | 455 | 455 | 455 |
| | 5.4 | Max. gradeability, laden/unladen | % | 34/30 | 30/30 | 26/30 | 22/30 | 24/30 | 22/30 |
| | 5.5 | Service brake | | Hydraulic | Hydraulic | Hydraulic | Hydraulic | Hydraulic | Hydraulic |
| | 5.6 | Parking brake | | Mechanical | Mechanical | Mechanical | Mechanical | Mechanical | Mechanical |
| Electric-engine | 6.1 | Drive motor rating S2 60 min | kW | 45 | 45 | 54.5 | 54.5 | 54.5 | 54.5 |
| | 6.2 | Lift motor rating at S3 15% | kW | 35x2 | 35x2 | 35x2 | 35x2 | 35x2 | 35x2 |
| | 6.3 | Battery voltage, nominal capacity K5 | V/Ah | 309/228 | 309/228 | 309/302 | 309/302 | 309/302 | 309/302 |
| | 6.4 | Battery weight | kg | 740 | 740 | 890 | 890 | 890 | 890 |
| 7.1 | Type of drive unit | | AC | AC | AC | AC | AC | AC | |
| 8.1 | Manufacturer | | Enpower | Enpower | Enpower | Enpower | Enpower | Enpower | |
| 9.1 | Operating pressure for attachments | MPa | 19 | 19 | 20 | 20 | 20 | 20 | |



$$A_{st} = a + W_a + x + B \quad a: \text{Clearance (200mm)}$$

